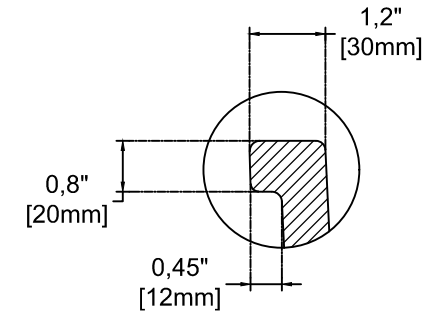
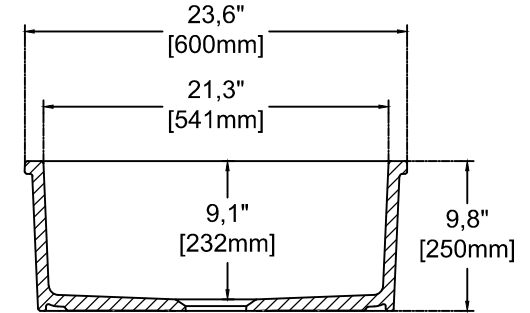
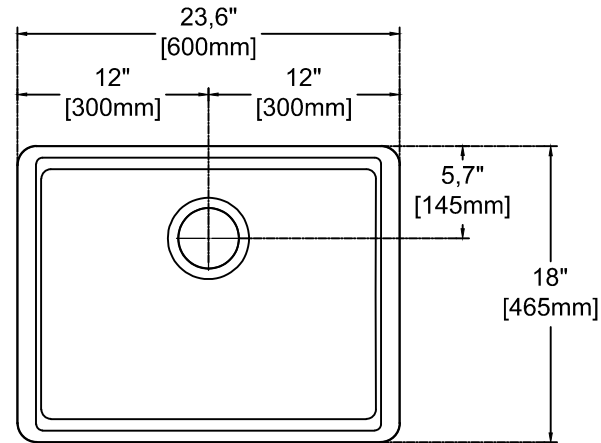
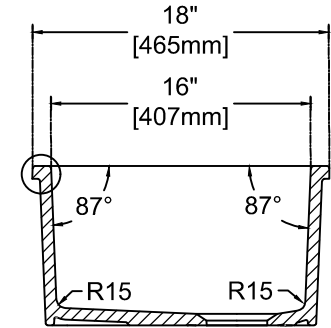
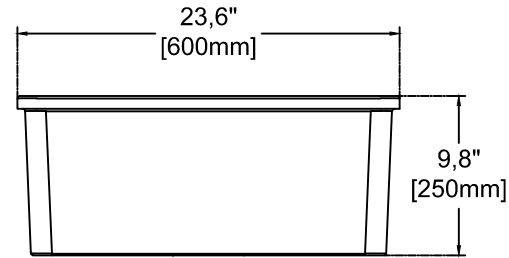
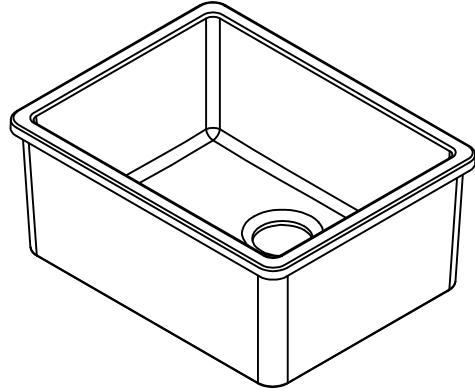




ISVEA

1962 ITALIA

TECHNICAL DRAWING / TEKNİK ÇİZİM



CODE / KOD : 10PC80060

SIZE : 24x18,3 inç

600 x 465 mm

DESCRIPTION / AÇIKLAMA : Pescara Undermount/set-in 24"

TOLERANCE / TOLERANS : 100 mm ± 1 %