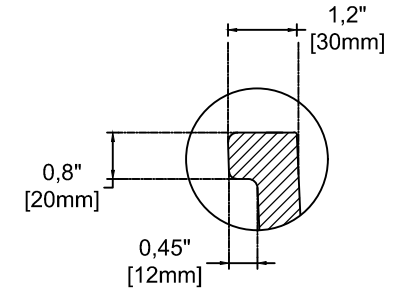
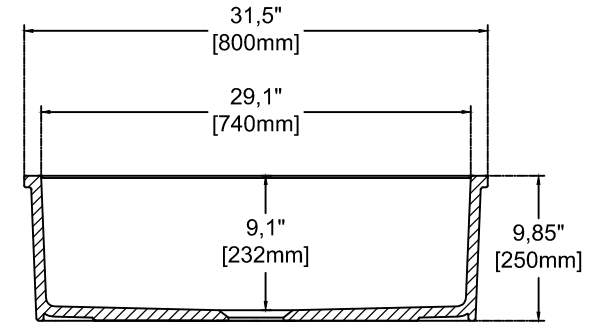
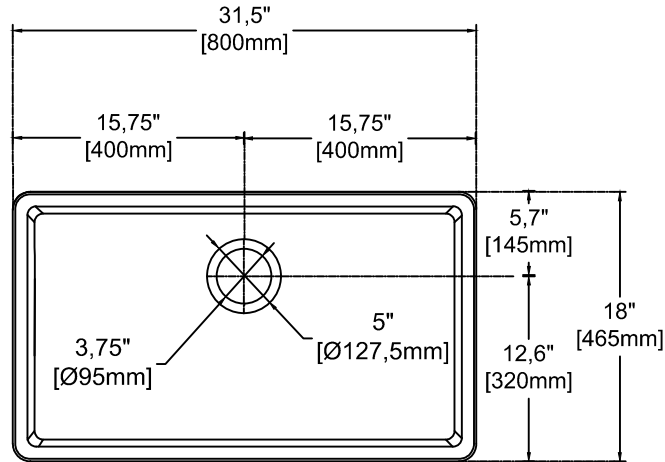
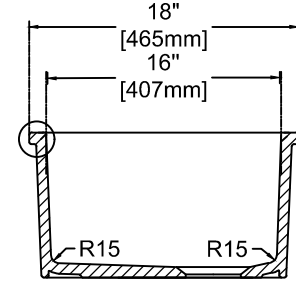
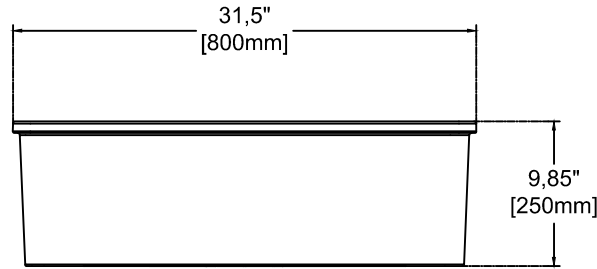
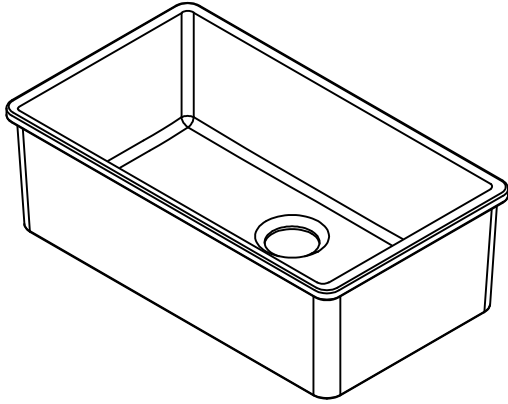




ISVEA

1962 ITALIA

TECHNICAL DRAWING / TEKNİK ÇİZİM



CODE / KOD : 10PC80080

SIZE : 31,5x18 inç

800 x 460 mm

DESCRIPTION / AÇIKLAMA : 31,5x18" Pescara Undermount

TOLERANCE / TOLERANS : 100 mm ± 1 %