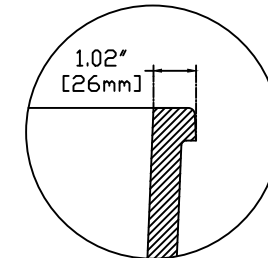
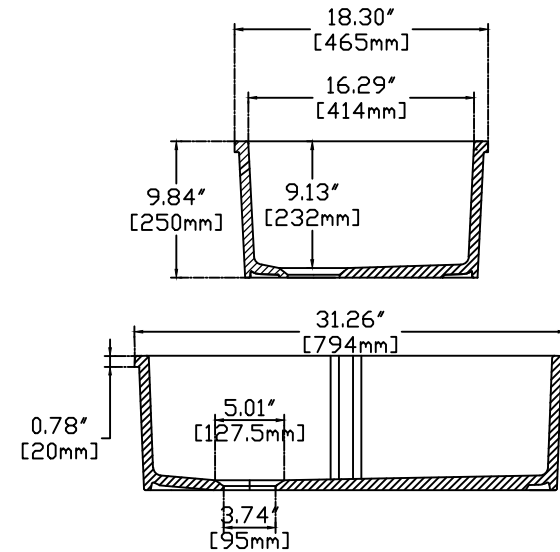
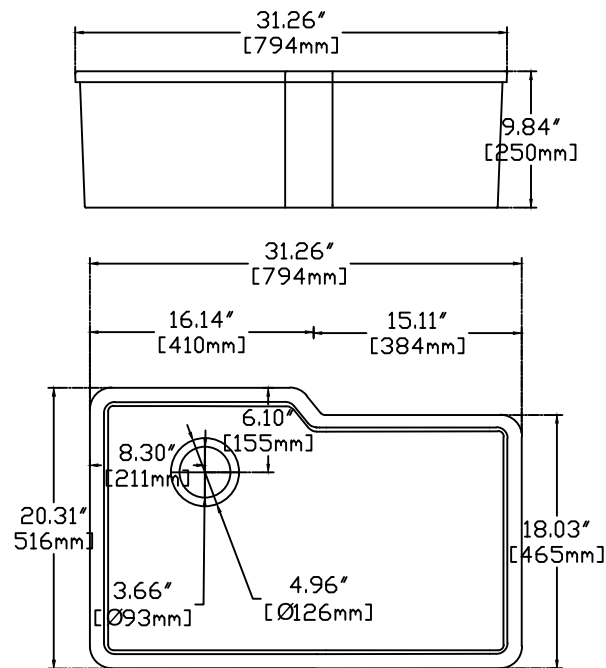
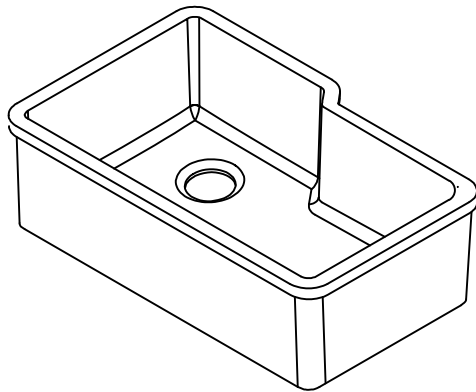




ISVEA

1962 ITALIA

TECHNICAL DRAWING / TEKNİK ÇİZİM



SIZE :31.3x 20.3 inc
794x 516 mm

DESCRIPTION: Pescara Undermount/set-in 32" ASYM

TOLERANCE: 100 mm ± 1 %